

# BASO 2.5 PERIMETER



## Catalog Number Example

BASO 2.5-PM-RTR-BL-OP-30K-C80-UNV-010V-SEN-455LF-NLC-ST-96IN

### A RANGE

BASO 2.5      BASO 2 . 5

### B SUB CATEGORY

Perimeter      PM

### C MOUNTING

CS Recessed trimless	R T L
CS Recessed with trim	R T R
CS Armstrong Suprafine 9/16" G	A 9 G
CS Armstrong Interlude 9/16" SG	A 9 S
CS Armstrong Silhouette 9/16" BSG	A 9 S
CS Armstrong Prelude 15/16" G	A 1 5
CS 9/16" Grid (any brand)	G R D
CS 9/16" Slot Grid (any brand)	G R D
CS 15/16" Grid (any brand)	G R D
Custom	X X X

### D COLOR

CS White	W H
CS Black	B L
Gray	G R
Custom color RAL	X X

trimless version available in white only

### E LENS REGRESSION

HP opal cover flush	O P
HP opal cover 1" regressed	O 1
HP opal cover 2" regressed	O 2

fixture depth is field-adjustable

### F END CAP DETAIL

Trim endcap (RTR only)	T R
Trimless endcap - wall to wall	T L
Invisible endcap - wall to wall	I N

### G CCT

2700K	2 7 K
CS 3000K	3 0 K
CS 3500K	3 5 K
4000K	4 0 K

### H CRI

CRI > 80	C 8 0
CRI > 90	C 9 0

### I VOLTAGE

120V / 277V      UNV

### J DIMMING

CS 0-10V 1%	0 1 0 V
Lutron EcoSystem	L E S 1
Quantum, Vive, GRAFIK Eye, HomeWorks	
Power over ethernet	P O E C
consult customer service for compatibility	
Custom dimming	X X X X
consult customer service for compatibility	

### K SENSOR (optional)

Integrated Sensor      S E N  
consult customer service for sensor request

### L OUTPUT LM/FT

CS 500lm/ft 100% ↓	0 5 0 0 L F
CS 750lm/ft 100% ↓	0 7 5 0 L F
CS 1000lm/ft 100% ↓	1 0 0 0 L F
Custom lm/ft	X X X X L F

custom lumen up to 1200 lm/ft

### M CIRCUIT / EM

CS Single circuit	*
EMC night light circuit	N L C
EMB available in 4ft and 8ft	E M #

\* leave blank

### N SHAPE / PATTERN

CS Linear / straight	S T
CS Linear / straight + flex inset	S F

includes 1ft. field-cutable section; only available for 4' and 8' segments

L-shape	L S
□-shape (rectangular shape)	R S
U-shape	U S
Custom shape	X X

for grid applications using L-shape, rectangular shape or U-shape, please contact customer service for availability

### O DIMENSIONS IN INCH

Linear 2'	2 4 I N
CS Linear 4'	4 8 I N
CS Linear 6'	7 2 I N
CS Linear 8'	9 6 I N
Linear custom	### I N
Linear flex inset	### I N

field-cutable section

L-Shape	###X### I N
U-Shape	###X###X### I N
□-Shape	###X### I N

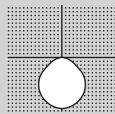
for lengths including flex insets, round up to the nearest total foot length

### P CERTIFICATION (optional)

Chicago Plenum	C C E A
Red List Approved	R L A

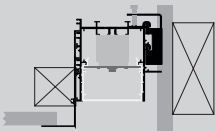
## PERFORMANCE

- Up to 106lm/W efficiency
- 455 / 750lm/ft
- CRI > 80 & CRI > 90
- IC & Damp rated



## MOUNTING

Perimeter



## PATTERNS



Angular



Rectangular

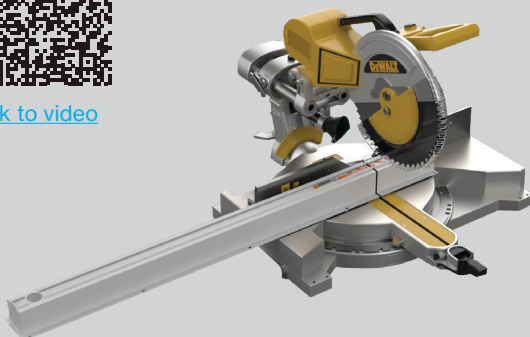
For customization, please contact customer service

## FIELD-CUTTABLE FLEX

Down to 1/16"





[link to video](#)



**BASO**  
basolighting.com  
xalusa.com

**Technical data**

	SIZE TYPE	LED COLOR TEMPERATURE	INPUT WATTS	DELIVERED LM TOTAL	LIGHT DISTRIBUTION	DELIVERED LM DIRECT	DELIVERED LM INDIRECT	OPTICAL EFFICIENCY	LUMINAIRE EFFICACY
<b>BASO DIRECT</b>									
 e LED	2' linear	40K	8.7W	900lm	100% down	455 lm/ft	-	74%	106lm/W
	4' linear		17.5W	2200lm					
	6' linear		25.8W	2700lm					
	8' linear		34.4W	4400lm					
	2' + 2' corner		17.5W	4400lm					
 e² LED	2' linear	40K	14.7W	1500lm	100% down	750 lm/ft	-	74%	102lm/W
	4' linear		29.5W	3000lm					
	6' linear		44.2W	4500lm					
	8' linear		59W	6000lm					
	2' + 2' corner		29.5W	6000lm					

for 30K or 35K multiply lm value by 0.96

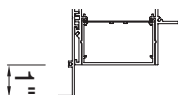
**Perimeter depth**

field adjustable

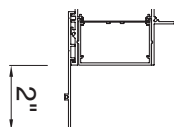
**FLUSH**



**REGRESSED 1"**

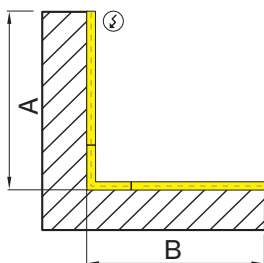


**REGRESSED 2"**

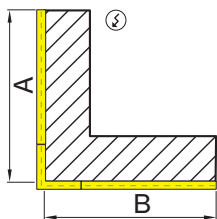


**Patterns top view**

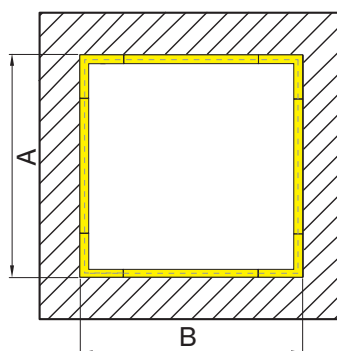
**L-SHAPE inside corner**



**L-SHAPE outside corner**

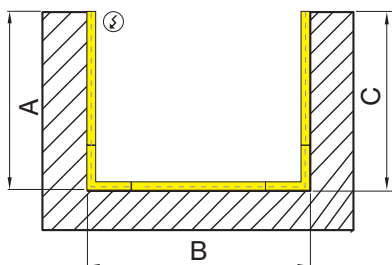


**□-SHAPE inside corner**

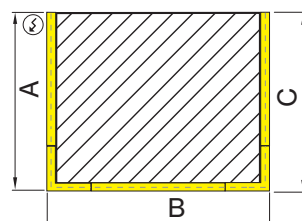


A / B	FIXTURES	CODE
48" / 48"	2 × 2' linear + 1 × 2' × 2' corner	0 4 X 0 4 F T
48" / 96"	1 × 2' linear + 1 × 6' linear + 1 × 2' × 2' corner	0 4 X 0 8 F T
96" / 96"	2 × 6' linear + 1 × 2' × 2' corner	0 8 X 0 8 F T

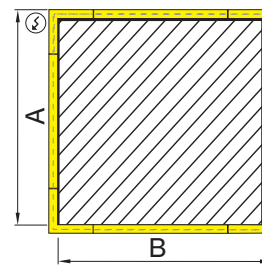
**U-SHAPE inside corner**



**U-SHAPE outside corner**



**□-SHAPE outside corner**

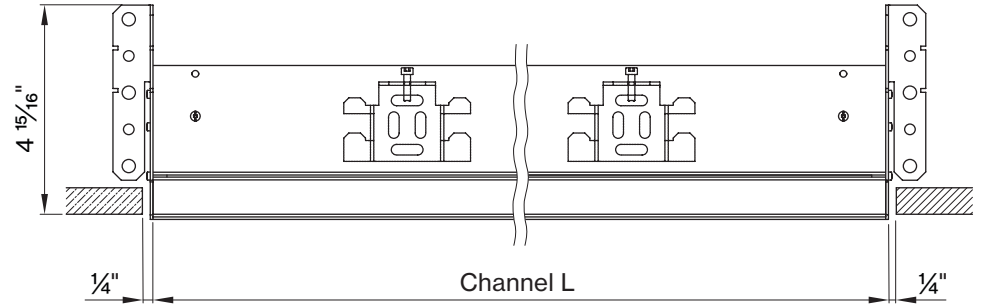
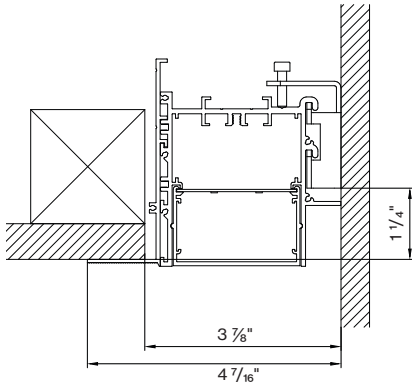


A / B / C	FIXTURES	CODE	A / B	FIXTURES	CODE
48" / 48" / 48"	2 × 2' linear + 2 × 2' × 2' corner	0 4 X 0 4 X 0 4 F T	48" / 48"	4 × 2' × 2' corner	0 4 X 0 4 F T
48" / 96" / 48"	1 × 4' linear + 2 × 2' linear + 2 × 2' × 2' corner	0 4 X 0 8 X 0 4 F T	48" / 96"	2 × 4' linear + 4 × 2' × 2' corner	0 4 X 0 8 F T
48" / 144" / 48"	1 × 8' linear + 2 × 2' linear + 2 × 2' × 2' corner	0 4 X 1 2 X 0 4 F T	96" / 96"	4 × 4' linear + 4 × 2' × 2' corner	0 8 X 0 8 F T

DIMENSIONS

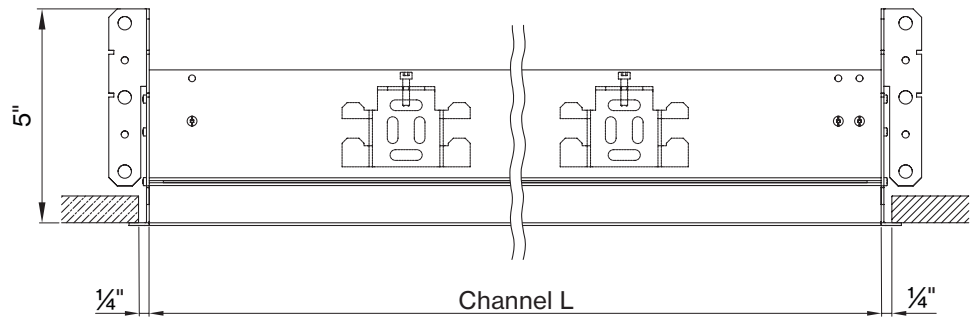
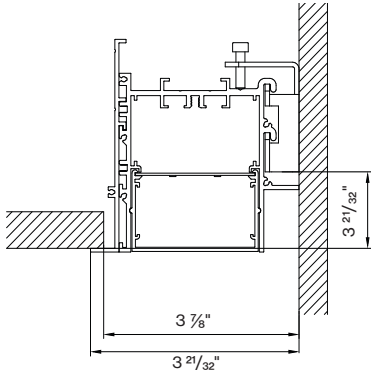
**BASO 2.5 PERIMETER**

trimless flush



please see BASO 2.5 PERIMETER mounting instructions for regressed dimensions

with trim flush



please see BASO 2.5 PERIMETER mounting instructions for regressed dimensions

**Declare.**

**BASO 1.5 2.5 4.0**  
**XAL USA Incorporated**

Final Assembly: Collins, Connecticut, USA  
 LBC (Declare's brand)  
 End of Life Options: Recyclable (70%), Landfill (30%)

**Ingredients:**  
 Aluminum, 2-Propenoic acid, 2-methyl-, methyl ester, polymer with ethyl 2-cyanobenzoate, Steel, manufacture, Chemicals, Copper Chloride (CuCl<sub>2</sub>), Polyvinyl Chloride (Unstabilized PVC), Polypropylene (iPP), Polyethylene Terephthalate (PET), Polyethylene Glycol (PEG), Polyethylene Glycol Dimethyl Ether (PEG-DME), Copper Iron, Tin, Organic Silicones, Zinc

1. LBC Temp Exception RECO2 - Small Electrical Components

**Living Building Challenge Criteria:**

**H1 Red List:**  
 LBC Red List Free:  1% Disposed 100% at 100ppm  
 LBC Red List Approved:  VOC Content: Not Applicable  
 Recycled:

**H2 Interior Performance:** Not Applicable  
**H3 Responsible Sourcing:** Not Applicable

XAL-0002  
 03/17/2024  
 Original Issue Date: 2023

REGISTRATION: LIVING BUILDING CHALLENGE - Temp Exception RECO2

**BASO mounting instructions**

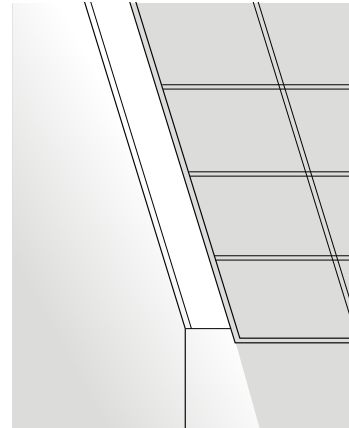
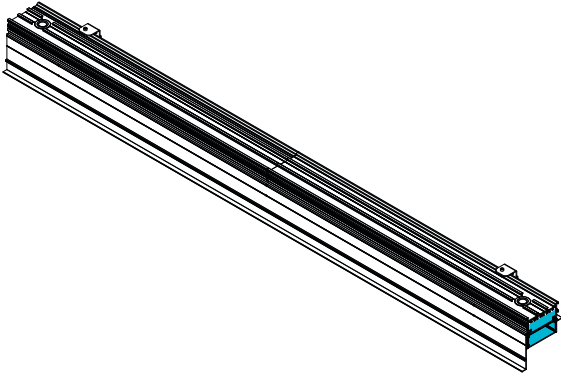
Get access to the BASO 2.5 mounting instructions faster by scanning the QR code.

[www.xalusa.com/resources/mounting-instructions/baso](http://www.xalusa.com/resources/mounting-instructions/baso)

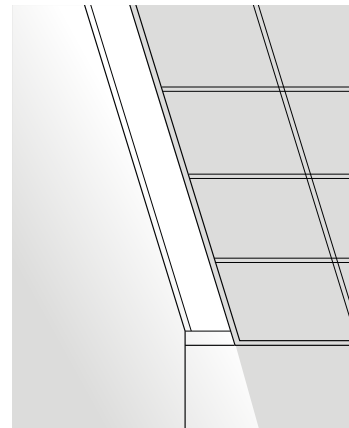
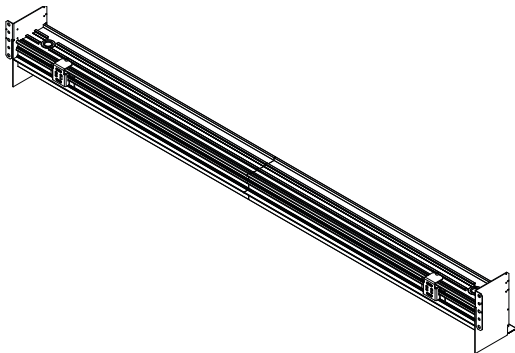


## BASO 2.5 PERIMETER

Invisible endcap



Trimless endcap



Trim endcap (RTR only)

